

SMG 65i, 65iS

High performance side seal machine for plastic strapping

Stainless steel version for the food industry



SMG 65i



SMG 65iS

Customer benefits

| Characteristics | Customer benefits |
|---|--|
| Up to 65 cycles per minute | · Fast strapping |
| Touch Panel | · Strap tension easily adjustable · No protruding controls |
| Simple technology, few moving parts | · Reliable, also in continuous operation · Easily accessible (without tools) |
| Constant strap tension | · For packages of different types and sizes |
| Ergonomically positioned dispenser | · Simple and rapid coil change |
| Small anvil plate | · For reliable strapping of very low products ^(S-typ) Starts at 50 mm package height |
| Machine, strap and after-sales service as a total package | · Strapex – your solution provider |

Arch Dimensions

| Machines | SMG 65i | SMG 65iS |
|---------------------------------|---------|----------|
| for strap width | 9/12 mm | 9/12 mm |
| Arch dimension (width x height) | | |
| 650 x 500 mm | • | |
| 650 x 600 mm | | • |

Standard equipment

- Adjustable seal height
- Four castors with brakes
- Closed strap arch system
- Heat seal
- Automatic strap threading device
- Automatic strap end ejection
- Interface for inline operation
- Swivelable control panel with digital display
- Strap loop ejection for cycles without product (SMG 65i)
- Small pressure plate (SMG 65iS)
- Cycle counter
- Electrical supply cable, 5 m
- Dispenser, fitted above machine
- Table triggered via photocell (SMG 65iS)
- Strap tension key «Soft»

Technical data

| Machines | | | |
|---|--|-------------------------|-------------------------|
| Heat weld sealing, preheating time | 30 s | | |
| Electrical supply | Single phase AC 230 V / 50 Hz, 1PNE and 115 V / 60 Hz, 1PNE Tolerance -15%/+20% Network flow assurance 10 AT | | |
| Performance | | at 225 VAC | |
| | Modus Sleep | Modus Stand-by | Modus Operation Max. |
| Watt | 26 W | 63 W | 446 W |
| Volt Ampere | 38 VA | 64 VA | 451 VA |
| Reactive Power | 27 VAR | 9 VAR | 94 VAR |
| Power Factor | PF 0.60 | PF 0.88 | PF 0.98 |
| COS Phi | 0.69 | 0.99 | 0.99 |
| Ampere | 0.19 A | 0.32 A | 2.3 A |
| Room temperature | 5–40°C | | |
| Relative humidity | 10–85% | | |
| Cycles per minute up to* (without dispensing) | 65/min. | | |
| Seal height | See layout on page 4 | | |
| Emission sound pressure level | 79 db (A) | | |
| Machine weight | from 200 kg | | |
| Protection | IP 56 / DIN 60529 + IP X9K / ISO 20653 | | |
| Packages | | SMG 65i | SMG 65iS |
| Min. width x height | | 50 x 100 mm | 5 x 50 mm |
| Max. width / height | | Arch dimension ./ 50 mm | Arch dimension ./ 50 mm |
| Max. weight | | 50 kg** | 50 kg** |
| Plastic strap (PP) | | SMG 65i | SMG 65iS |
| Width | 9 mm | 372.609.545 | 323.109.540 |
| | 12 mm | 372.612.533 | 323.112.534 |
| Strap thickness | | 0.40–0.60 mm | 0.40–0.60 mm |
| Strap coil, Ø inside/outside | | 200/430 mm | 200/430 mm |
| Strap tension manual operation, up to | | 450 N | 450 N |
| Strap tension automatic operation, up to | | 600 N | 600 N |

The polypropylene straps used for the respective applications must correspond with the strap specifications recommended by Strapex!

*Performance: Depends on arch and package dimensions, conveyor speed, package distances and strap tension.

** Depending on the existing conveyor technology

Highlights



Stainless steel construction

For demanding environments such as the food-stuffs or pharmaceutical industries

IP 56 / X9K protection

Perfect protection for demanding product environments

Compact and robust high-performance machines



Simple strap change

(Automatic strap threading)



Optimum accessibility

Simple fault clearance and minimum maintenance requirement (without tools)



Exclusive simple operation

Strap tension adjustable via push button (+/-)

Strap tension "Soft" for sensitive products



Cost-effective straps for gentle strapping

Use of thin PP straps

Options



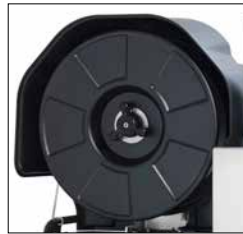
Fixable feet

The machine can be securely supported in the floor via the adjustable feet



Roller table, 650 mm

- Height adjustable
- Not driven control



Protection hood for dispenser

Protection against splash water and dust



Support roller



Hold down device

Pneumatic hold-down device
Hydraulic jack up to 450N
Compressed air consumption (5 bar)
approx. 360 NI / min.0



External strapping control



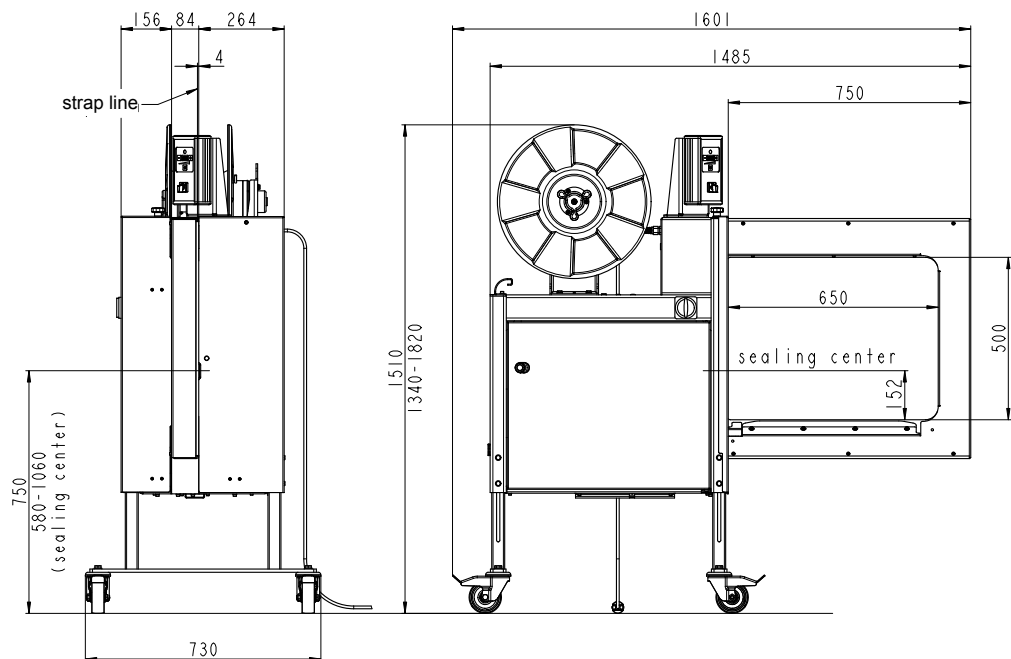
Vessel cover

Closed cover with plexi-glass door and heating on unwinder and strap magazine for optimal protection against splash water and cold

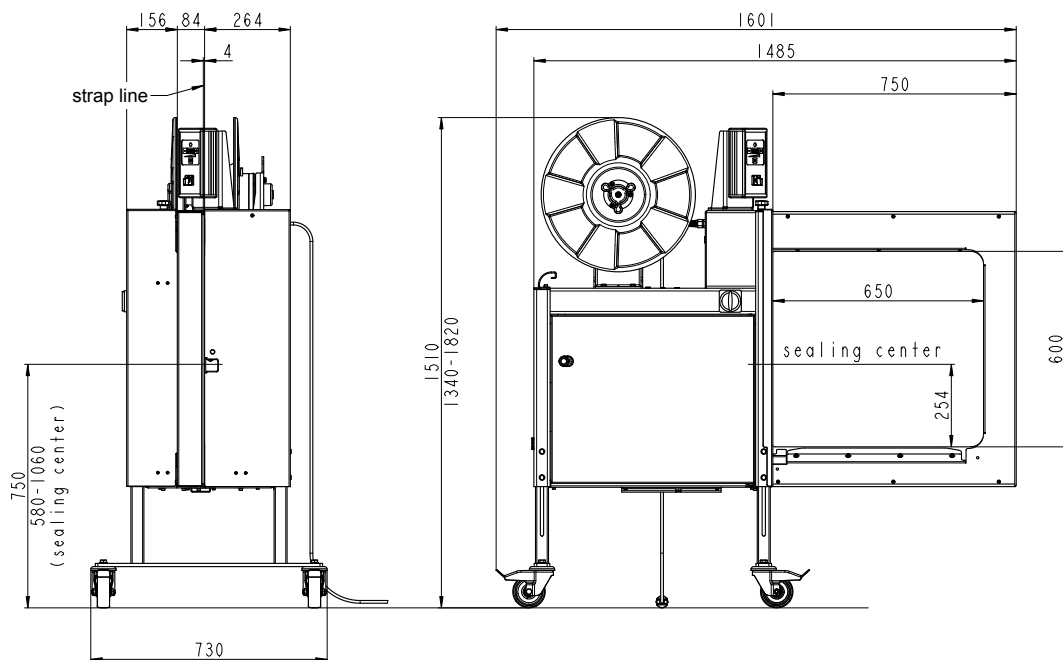
Further option:

- Special sealing height
- Table trigger

**Layout
SMG 65i**
Arch dimension
650 x 500 mm



**Layout
SMG 65iS**
Arch dimension
650 x 600 mm



**plus 13 mm screw heads



Make your products feel safe

www.strapex.com